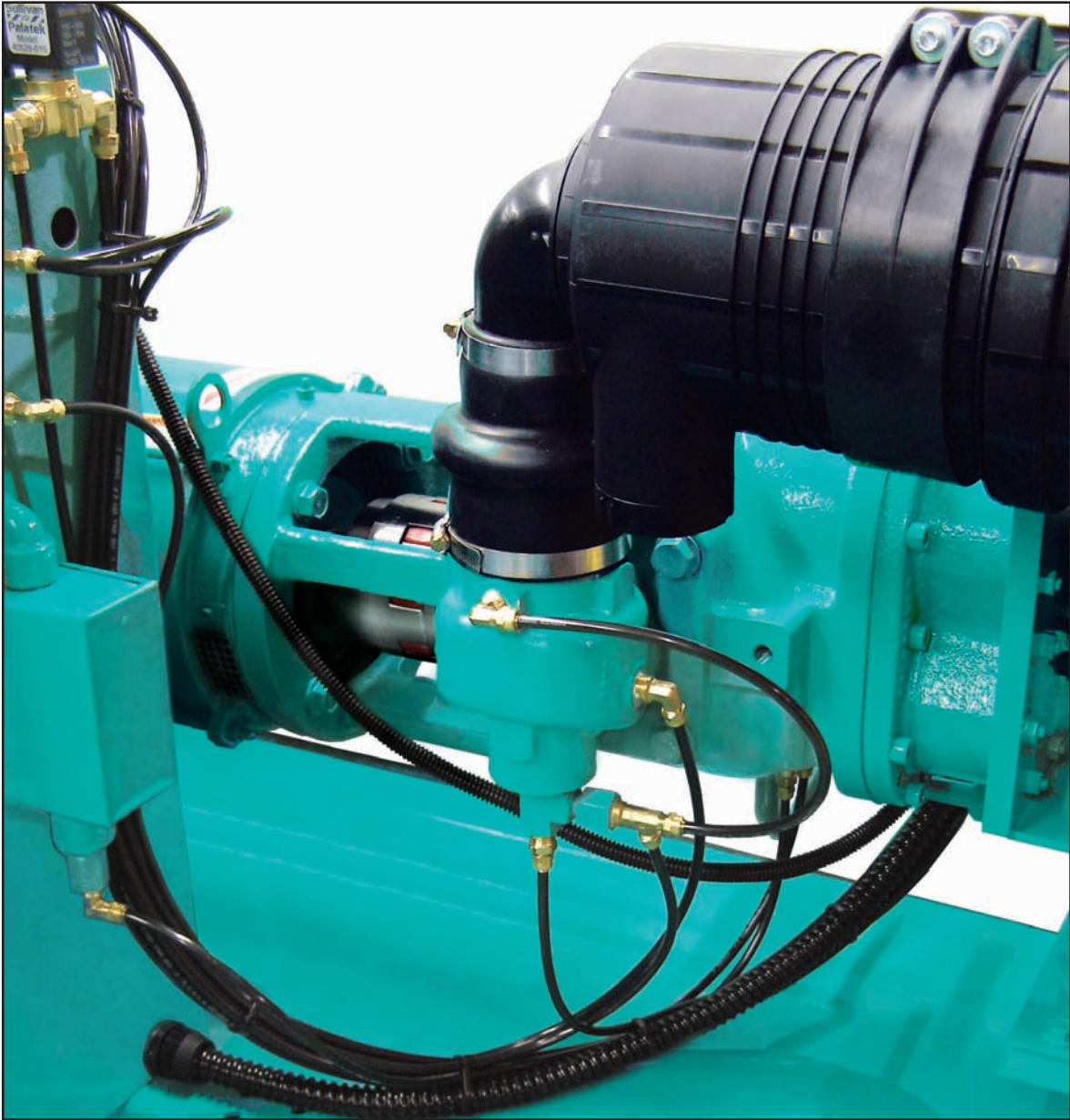


# **Sullivan** **Palatek®**

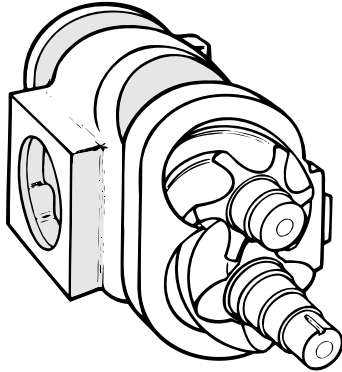
*“The Ultimate Performance Rotary Screw Air Compressor”*



*Proven performance  
with exceptional design*

# Sullivan Palatek®

*“The Ultimate*



## Lube Fill & Level Elbow

One piece lube fill elbow and level sight glass. Vented cap for pressure release when removing.

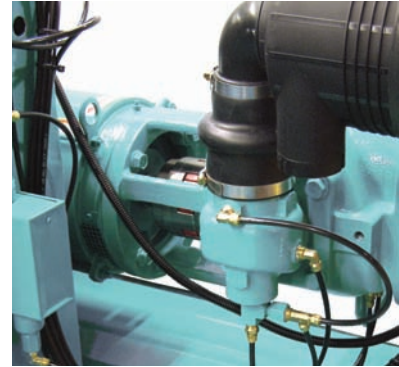


## Air Intake Filter

Oversized dry type. Primary and secondary element. Easily replaced.

## Inlet/Check Valve

One piece housing for dependable performance and complete modulation.



## *The advantages of owning a Sullivan-Palatek Rotary Screw Air Compressor.*

Sullivan-Palatek provides low maintenance, high performance and one of the most reliable air ends in the industry.\*

Our advanced design features oversize radial thrust bearings and precision working rotary screws that provide virtually no wear. Less friction, less heat, compressor runs cool and the circulating fluid lasts longer.

## Standard Features

### Electric Motor

208/230/460 volt (15-25 H.P.) 230/460 volt (30-40 H.P.) Nema T-frame, C-face, open drip proof squirrel cage induction type, energy efficient.\*

### Motor Starter

230/460 volt (15-25 H.P.) 460 volt (30-40 H.P.), full voltage magnetic starter with 110 volt controls, Nema-1 enclosure, ETL listed, solid state control circuit breaker protection and three phase overload with reset button and phase protection. Other voltages available.

### Protective Devices

Class 20 solid state overload relay, high temperature and over pressure shutdown switches, and anti-restart pressure switch preventing starting while air compressor is pressurized.

## Separator Tank

ASME coded 200PSIG tank, relief valve, minimum pressure/check valve, high efficiency replaceable air/lube separator element.



**15, 20, 25, 30 & 40 H.P.**

\*Air End Warranty, 2 years. Extended 5-year Superior Platinum Warranty with purchase of genuine Sullivan-Palatek parts and fluids. Description, Specifications and Pictures represented in this brochure may vary from actual equipment purchased.

# Performance Rotary Screw Air Compressor

## Coupling & Drive

Compressor is flange mounted to motor C-face for positive alignment and direct driven. The coupling element has a 1 year warranty.\*

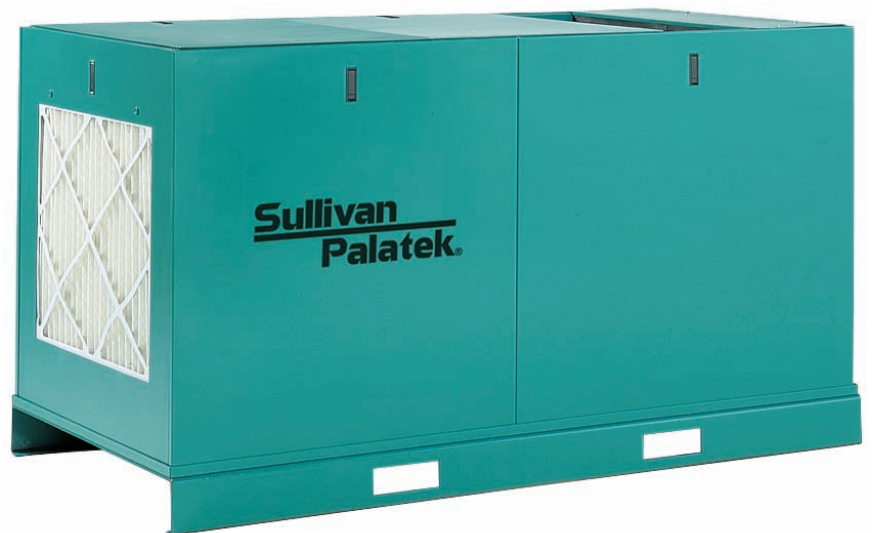


## Controls

Full modulation, solenoid controlled for smooth lowest possible no load power. Automatic start/stop or constant speed. Timed dual control.

## Acoustical Enclosure (optional)

Easy removable panels for faster maintenance and accessibility. Inlet air filter replaceable element for clean quiet performance.



## Instrumentation

Line pressure gauge, discharge pressure gauge, hour meter, temperature gauge, lube filter and separator element differential gauges.



## Micro Processor (optional)

Easily read output, includes English, German and Spanish languages.



## Elevated Platform (optional)

19" High, for easy maintenance.

## Tank Mounted (optional)

ASME coded 120, 200 and 240 air receivers readily available.



## STANDARD PERFORMANCE MODELS



5, 7.5 & 10 H.P.



40, 50 & 60 H.P.

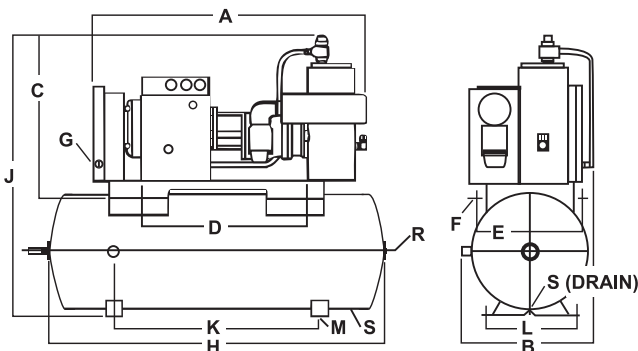


75 & 100 H.P.



125 to 400 H.P.

### SPECIFICATIONS



Sold and Serviced By:



BASE MTD	15D	20D	25D	25D4	30D7	40D
A	56*	56*	59*	59*	58*	60*
B	29*	29*	29*	29*	30*	34*
C	34*	38*	35*	38*	35*	39*
D	40	40	40	40	40	40
E	21.38	21.38	21.38	21.38	21.38	21.38
F	.75 Dia.	.75 Dia.	.75 Dia.	.75 Dia.	.75 Dia.	.75 Dia.
G	1 NPT	1 NPT	1 NPT	1 NPT	1 NPT	1.25 NPT
MOTOR HP	15	20	25	25	30	40
SUMP CAP	3 GAL	3 GAL	3 GAL	3 GAL	3 GAL	3.5 GAL
WEIGHT	580**	625**	625**	790**	770**	925**
TANK MTD	120 GALLON TANK					200 GAL.
H	69*	69*	69*	69*	72*	72*
J	59*	63*	60*	63*	68*	70*
K	42*	42*	42*	42*	42*	42*
L	18.5	18.5	18.5	18.5	24	24
M	.9	.9	.9	.9	.9	.9
R	2 NPT	2 NPT	2 NPT	2 NPT	2 NPT	2 NPT
S	.5 NPT	.5 NPT	.5 NPT	.5 NPT	.5 NPT	.5 NPT
TANK DIA	24	24	24	24	30	30
WEIGHT	905**	950**	950**	1115**	1095**	1250**

\*CRATED DIMENSIONS, L-84", W-45", H-60" (TANK MOUNTED 74")

\*\*ADD 175 POUNDS FOR CRATING. ALL DIMENSIONS SHOWN IN INCHES